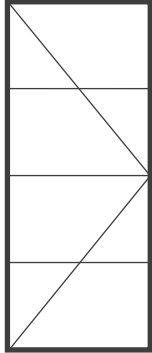
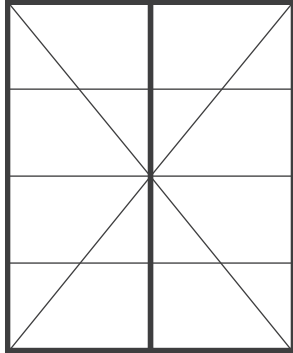


Boutique French Doors

Lineage Collection – Gatsby Series

Code Prefix: DAFR Colonial Bar Pattern: Gatsby

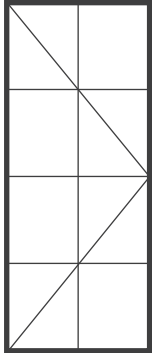
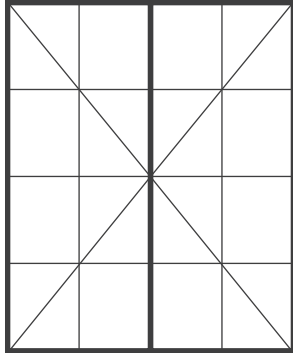
Size Code		06	08	09	10	11	12	15	17	19	21
O/A Reveal Size (mm)		648	768	898	1013	1113	1210	1450	1710	1940	2140
21	2110										
23	2370										

Please Note: Visible glass area between bars can vary in size across the same product, depending on product type, size and configuration. Speak to your A&L sales representative to find out more.

Boutique French Doors

Lineage Collection – Loft Series

Code Prefix: DAFR Colonial Bar Pattern: Loft

Size Code		06	08	09	10	11	12	15	17	19	21
O/A Reveal Size (mm)		648	768	898	1013	1113	1210	1450	1710	1940	2140
21	2110										
23	2370										

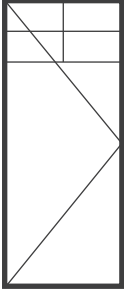
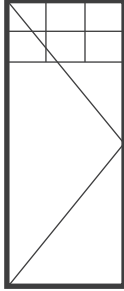
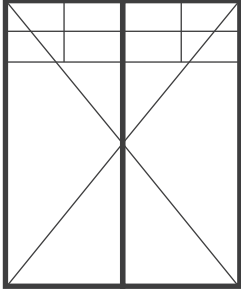
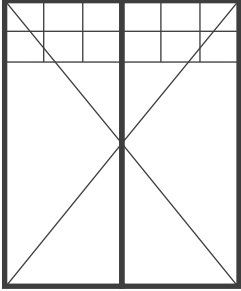
Please Note: Visible glass area between bars can vary in size across the same product, depending on product type, size and configuration. Speak to your A&L sales representative to find out more.

Boutique French Doors

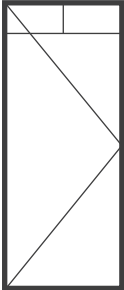
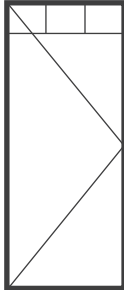
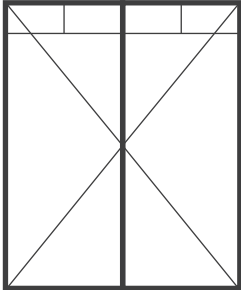
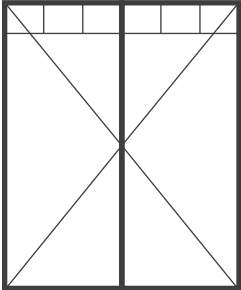
Lineage Collection – Newport Series

Code Prefix: DAFR Colonial Bar Pattern: Newport

Double

Size Code		06	08	09	10	11	12	15	17	19	21
	O/A Reveal Size (mm)	648	768	898	1013	1113	1210	1450	1710	1940	2140
21	2110										
23	2370										

Single







Size Code		06	08	09	10	11	12	15	17	19	21
	O/A Reveal Size (mm)	648	768	898	1013	1113	1210	1450	1710	1940	2140
21	2110										
23	2370										

Please Note: Visible glass area between bars can vary in size across the same product, depending on product type, size and configuration. Speak to your A&L sales representative to find out more.

Please Note: Size charts are provided as a guide only, images may not reflect the exact proportions of the product you specify. Images represent the external view of the product and refer to A&L's standard offering for N2 areas. Specific size limitations or alternative options may be applicable for other wind categories or account customer specific ranges. The A&L website Terms of Use apply to this document. JWALNAT0546/0223 February 2023.

Boutique French Doors

Code Prefix: DAFR

Size Code	06	08	09	10	11	12	15	17	19	21	xx	xx	xx	xx	
O/A Reveal Size (mm)	648	768	898	1013	1113	1210	1450	1710	1940	2140	2913 (max)	3940 (max)	4713 (max)	5740 (max)	
Panel Size	552	672	802	917	1017	552 x 2	672 x 2	802 x 2	917 x 2	1017 x 2	Variable	Variable	Variable	Variable	
Combination	Single	Single	Single	Single	Single	Double	Double	Double	Double	Double	Variable with single door & sidelight	Variable with double door & single sidelight	Variable with single door double sidelight	Variable with double door & double sidelight	
21	2110														
23	2370														

- Double Glazing option for all available sizes above
- Available Open In or Open Out
- Available (STD) Hinged on Left, or (REV) Hinged on Right
- Maximum Fixed Panel size of 1800mm wide when Single Glazed
- Maximum Fixed Panel width when Double Glazed varies dependant on height required (check with your Sales Representative for availability)